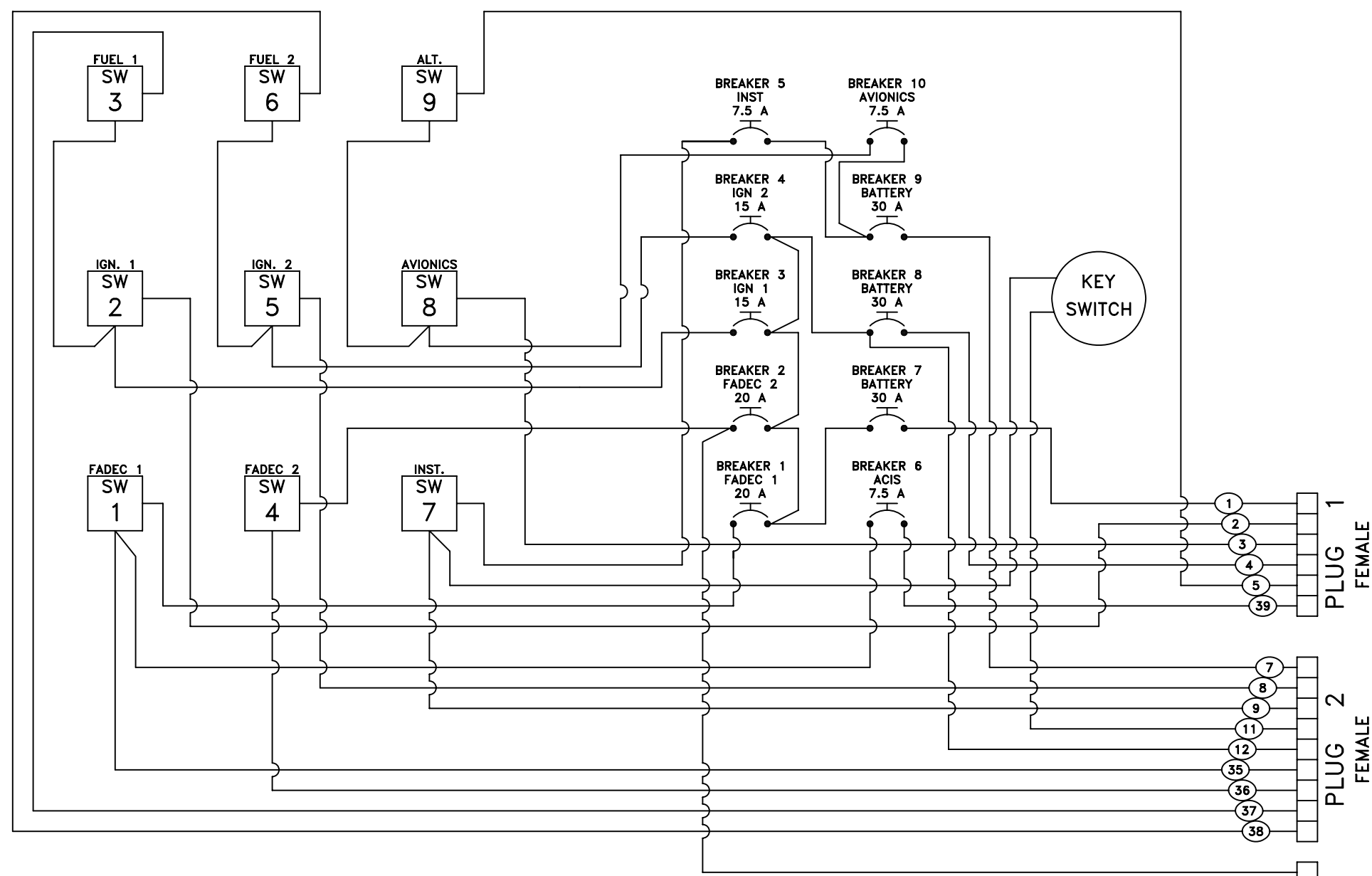
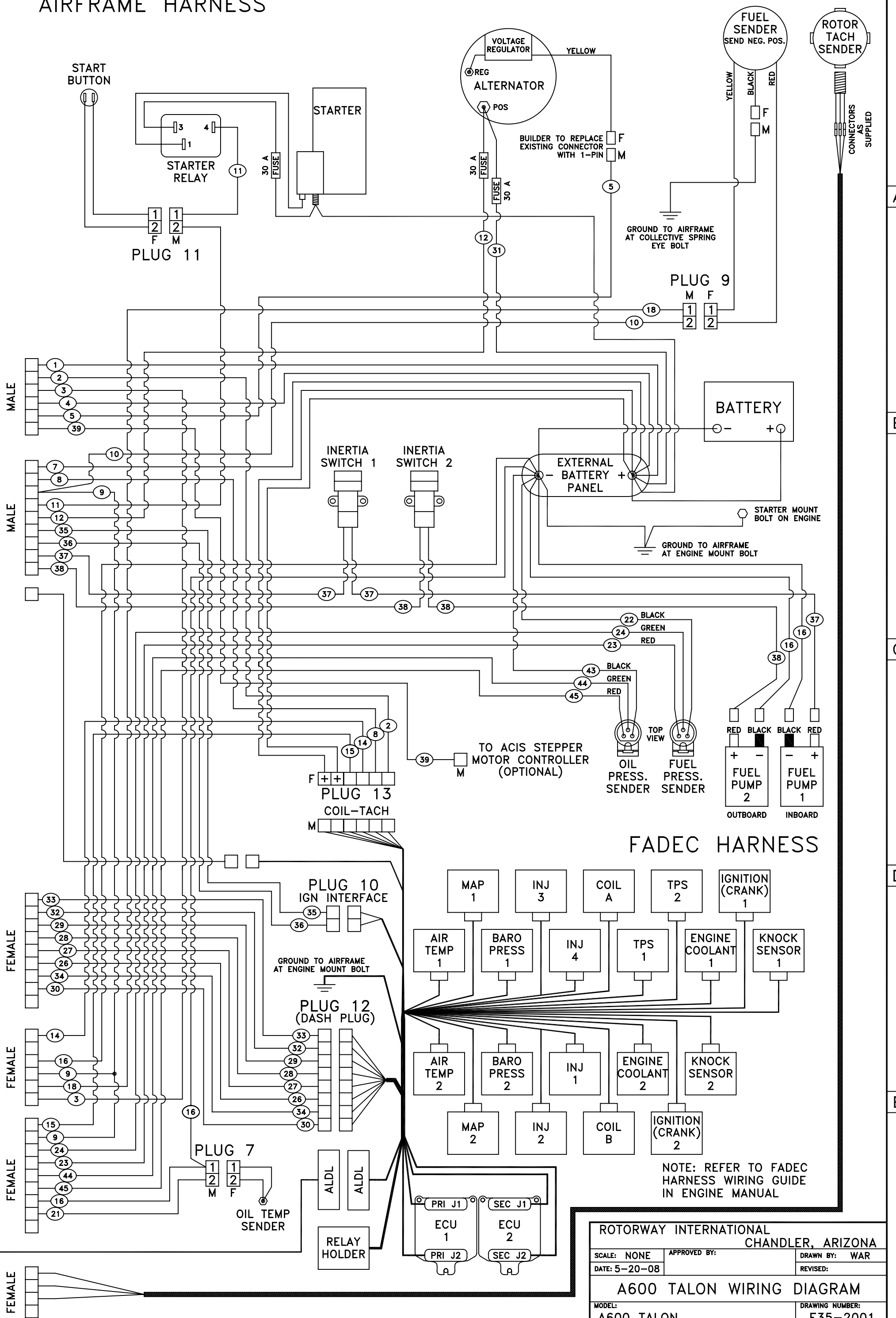


OVERHEAD SWITCH PANEL



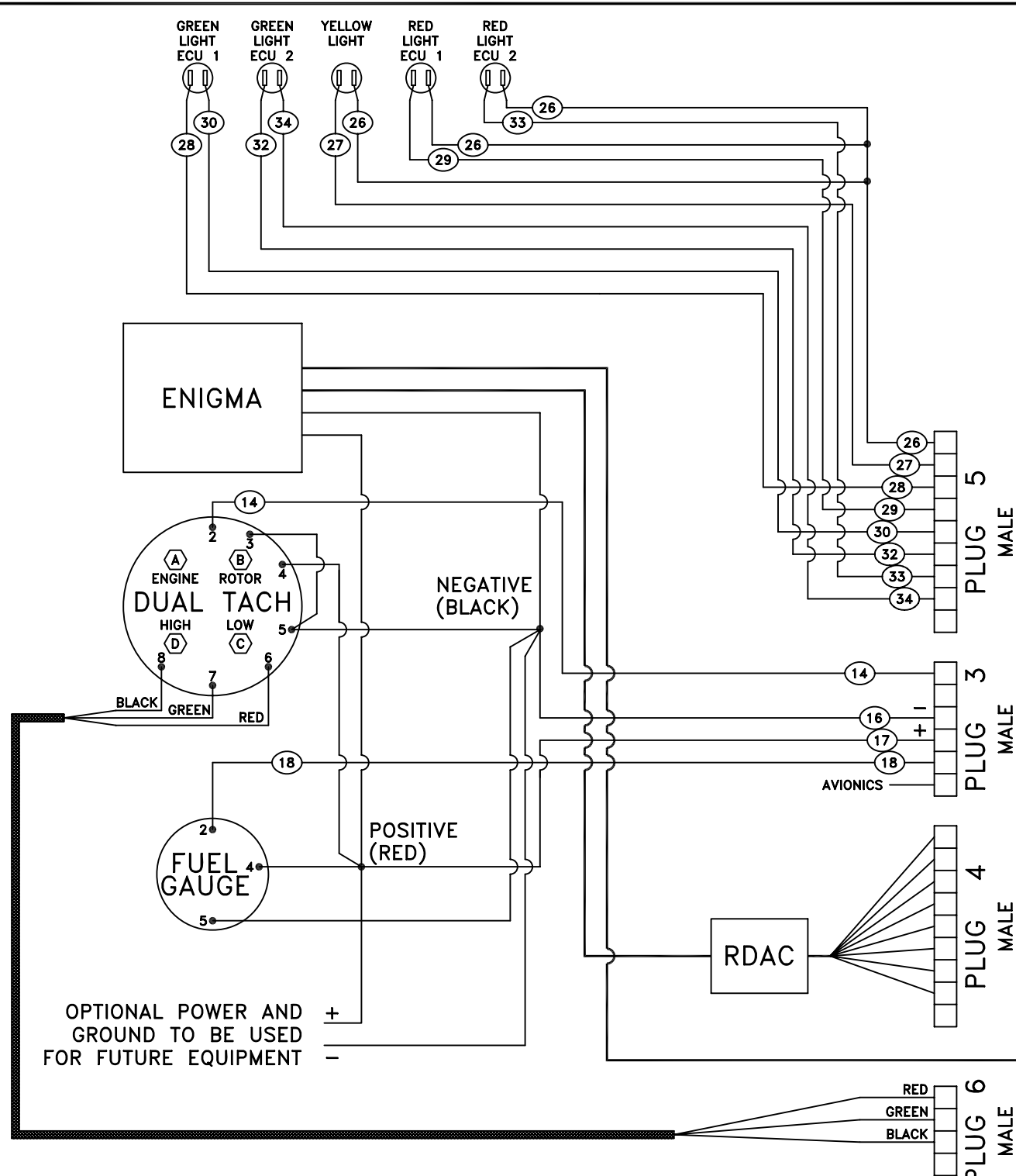
NOTE: FOR DRAWING CLARITY, WIRE POSITIONS ON 9 PIN CONNECTORS SHOWN HERE ARE NOT THE SAME AS ON ACTUAL PLUGS.

AIRFRAME HARNESS



INSTRUMENT PANEL

NOTE: WIRES TO GAUGES ARE COLOR CODED AS FOLLOWS:
 YELLOW: SENDER
 RED: POSITIVE
 BLACK: GROUND



OPTIONAL POWER AND GROUND TO BE USED FOR FUTURE EQUIPMENT

ROTORWAY INTERNATIONAL CHANDLER, ARIZONA		
SCALE: NONE	APPROVED BY:	DRAWN BY: WAR
DATE: 5-20-08		REVISED:
A600 TALON WIRING DIAGRAM		
MODEL: A600 TALON		DRAWING NUMBER: E35-2001